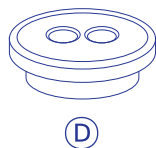
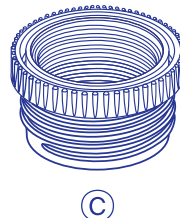
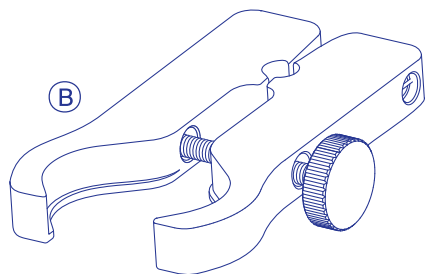
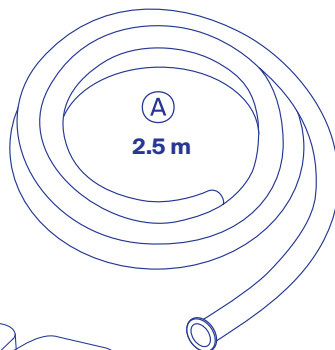
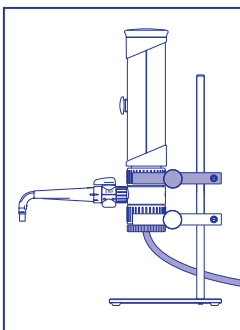


# Quick Guide



## Remote Aspiration Kit for Calibrex™ 525/530



- A** Feed tubing
- B** Clamp
- C** Adapter
- D** Ring spacer

Related items	Packaging	Cat. No.
Support for dispenser	1 / pk	320.SB150
Spare clamp	1 / pk	1.320.608



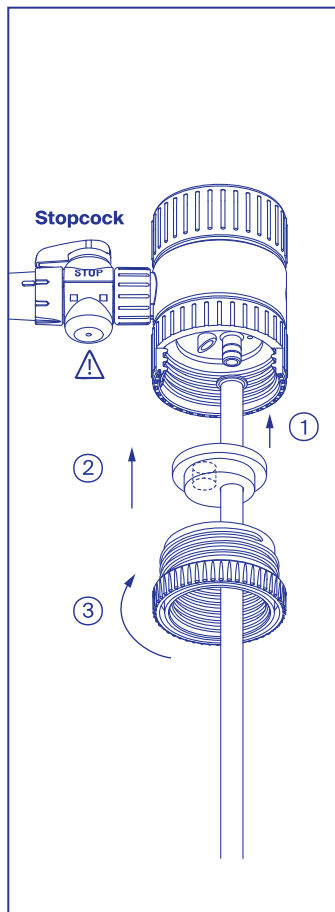
### Package contents

1x ring spacer, 1x threaded adapter, 1x 2.5 m tubing, 1x clamp, Quick Guide

### ⚠ Safety precautions

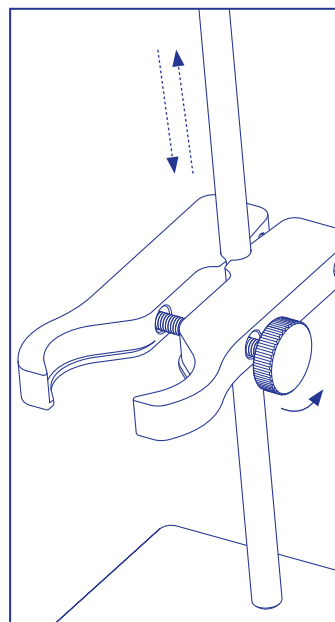
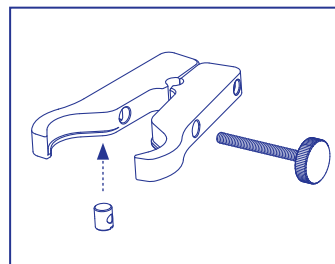
- Read carefully and observe manufacturer's instructions and guidelines.
- Always control chemical compatibility limits.
- Refer to and follow regulations about handling of potentially hazardous reagents.
- This accessory is intended for use with Socorex Calibrex™ 525/530 bottle-top dispensers.

### Step-by-step instructions



#### Assembling

1) Attach feed tube. 2) Fit the connector. 3) Screw on.



To fit clamp, unscrew completely and screw back at desired height.

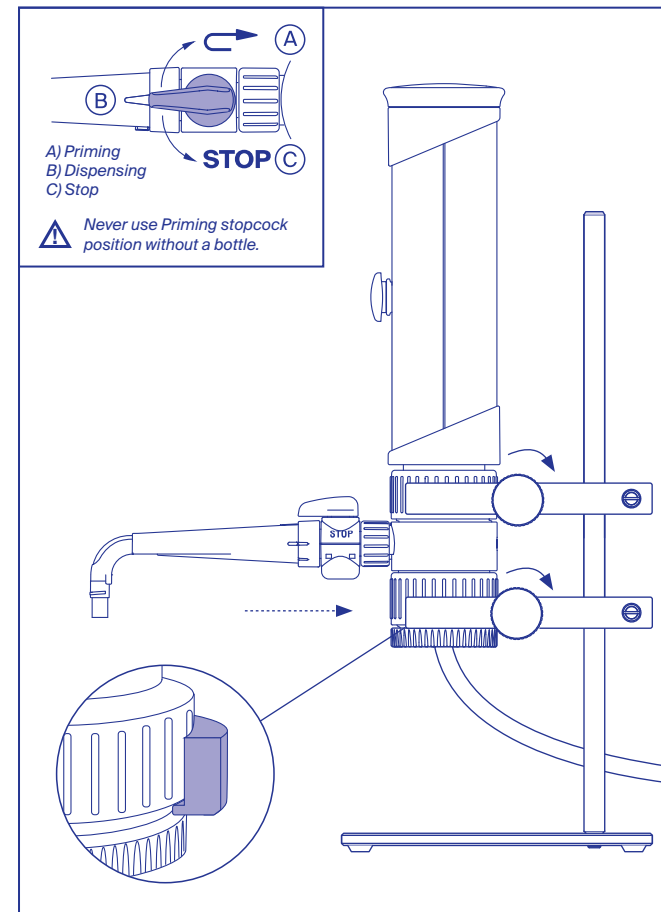
### Scan to access Calibrex™ operating instructions



EN / DE / FR



IT / ES / PT



#### Use

Place dispenser in the stand as on image. Use both clamps for stable attachment.

I.525REM.E-A0526